

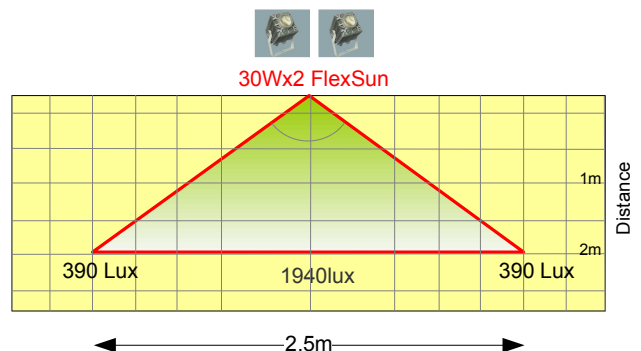
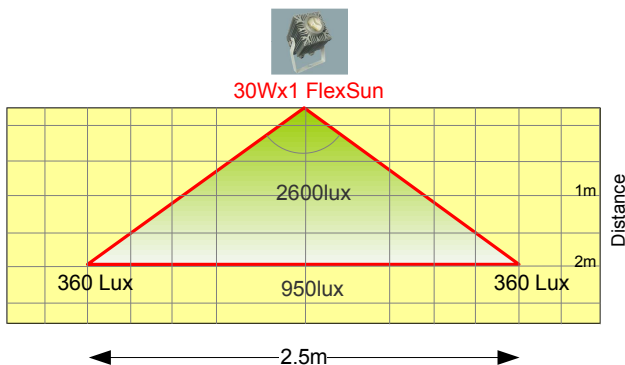
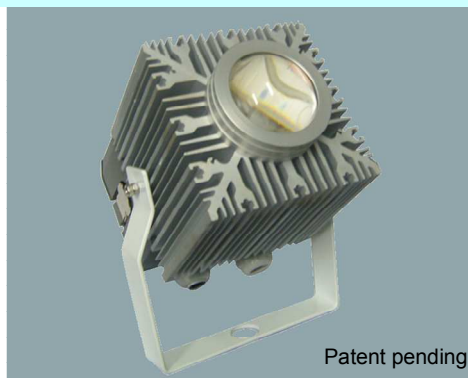
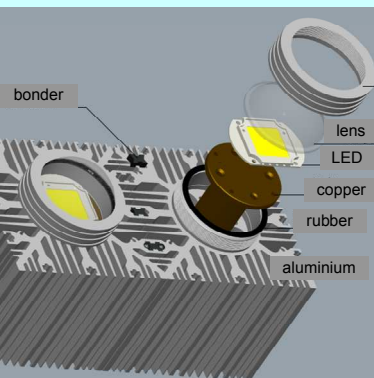
FlexSun, the Super LED floodlight



FlexSun, the innovative LED lamp from LeuchTek, for outdoor applications



- Heatpipe technology to facilitate the heat conducting
- The FlexSun can be used as single unit (30W-50W) or combined as a large lamp e.g.300W, 600W
- IP65 protection. Suitable for outdoor application.
- All newest technologies in one lamp: single-chip power LED, heatpipe, optical lens
- Color optional: white/red/green/blue



Heatpipe Technology

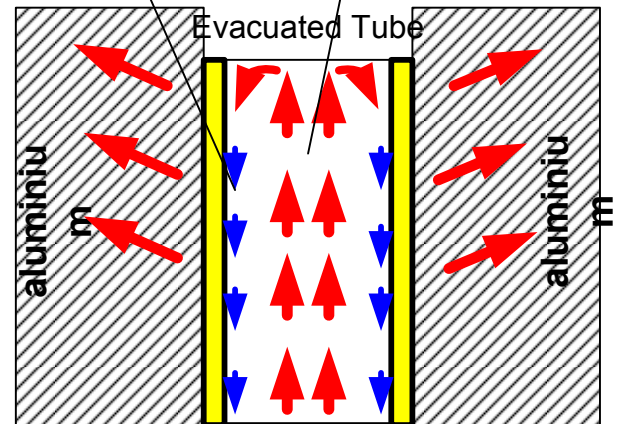
Heat conducting is the principle challenge in power LED lamp. FlexSun has outstanding performance because of the adoption of the latest technology of heatpipe.

A heat pipe is a heat transfer mechanism that combines the principles of both thermal conductivity and matter phase transition to efficiently manage the transfer of heat between two chemical interfaces.

At the hot interface within a heat pipe, a pressurized fluid in contact with a thermally conductive solid surface turns into a vapor by absorbing the latent heat of that surface, resulting in a phase transition. The vapor naturally flows through the system and condenses back into a liquid at the cold interface, releasing this latent heat. The fluid liquid then returns to the hot interface through either capillary action or gravity action where it evaporates once more and repeats the cycle.

Cooled vapour, liquifies and returns to bottom of pipe to repeat cycle

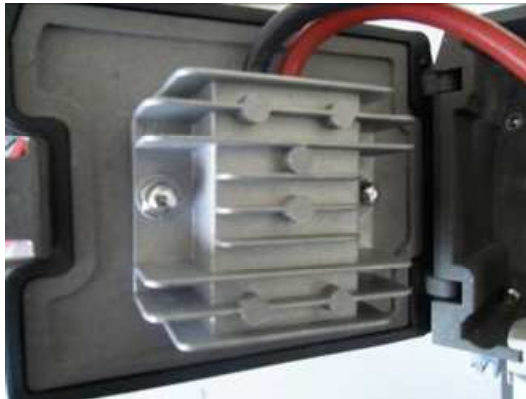
Hot vapour rises to heat pipe tip



Seperated constant-current LED power supply



stable DC constant current controller is installed with FlexSun



Normal switch power supply (constant voltage) is installed in the box which can be easily reached for service.

AC/DC Power box for service

In normal LED power supply, there are many electrolytic capacitors. The normal lifetime of electrolytic capacitors is less than 10000 hours which is less than the LED lifetime.

In FlexSun, we have designed new circuit without short-life time compoents, e.g. electrolytic capacitor . Meanwhile, the LED chip is controlled by constant-current circuit to assure the LED lifetime. The whole circuit is capsulated into one aluminium case and mounted on the door of FlexSun connection box to get the best heat dissipation performance.

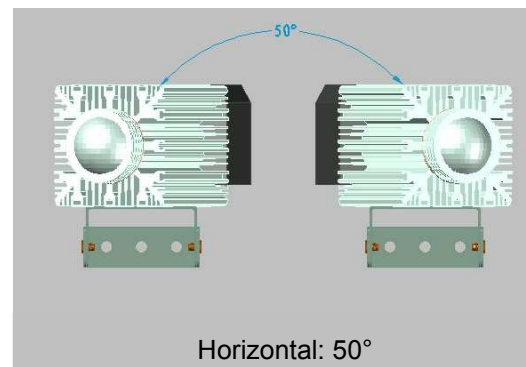
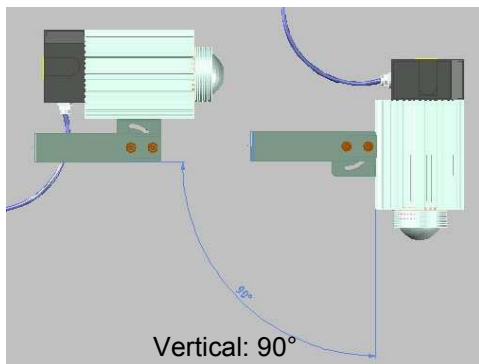
Our control circuit uses standard DC24V as input. The AC240V/DC24VDC converter can be installed in. For example, FlexSun can be installed on the top of 8 meter high mast, and the AC/DC converter can be installed at the bottom of the mast which is easy reachable for maintenance.

FlexSun, the Super LED floodlight

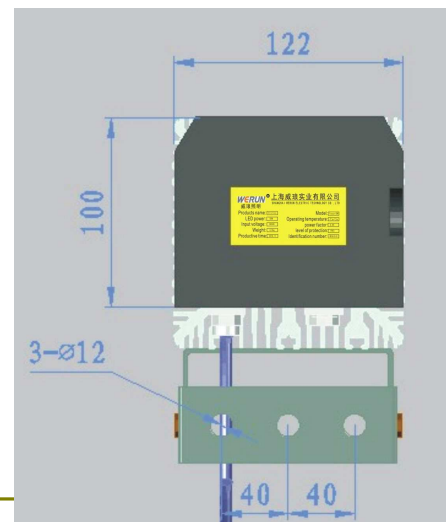
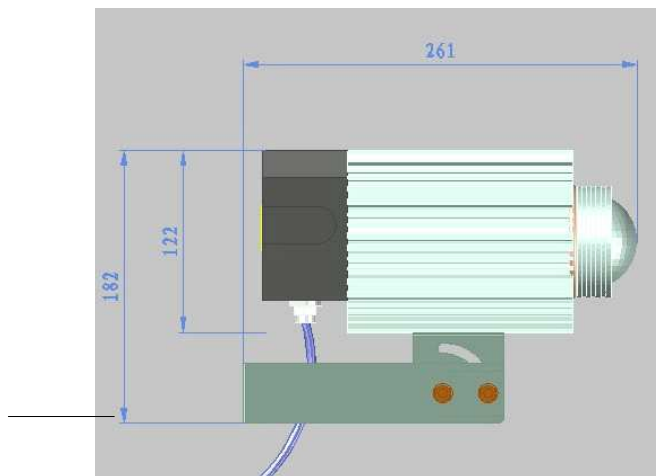
Technical Specification:

Typ /Model	FlexSun-50W
LED Power	50W
Output lumen	LED initial 4000lm, Lamp output 3600lm
Color Temperature	5000k (default)
Beam Angle	80° (default)
Output lumen	LED initial 4000lm, Lamp output 3600lm
Lifetime	35000 hours. Lumen attenuation <5%@1000hrs
CRI (Color Redering Index)	>80
Working environment	Outdoor, -20°~ 55°C, 10%~95% humidity
IP Rating	IP65
Mounting Adjustable range	Vertical 90°, horizontal 50°
Dimension	Lamp: 255*122*100mm, with rack: 261*122*182mm
Weight	Lamp: 3.8kg; rack:0,7kg; Lamp+Rack:4,5kg

Adjustable Position



Dimension



V082007YANG